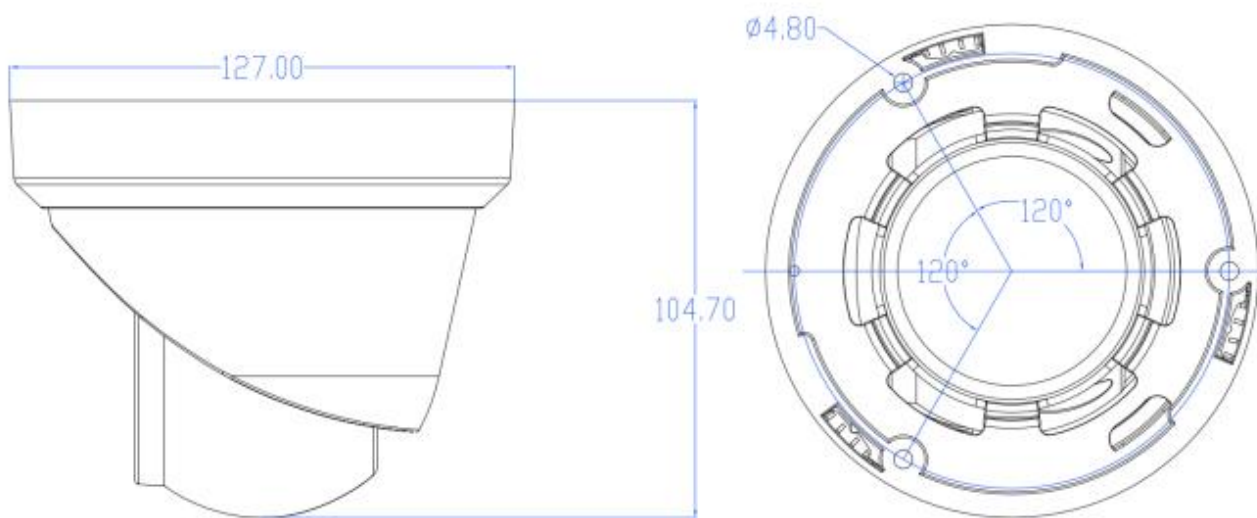
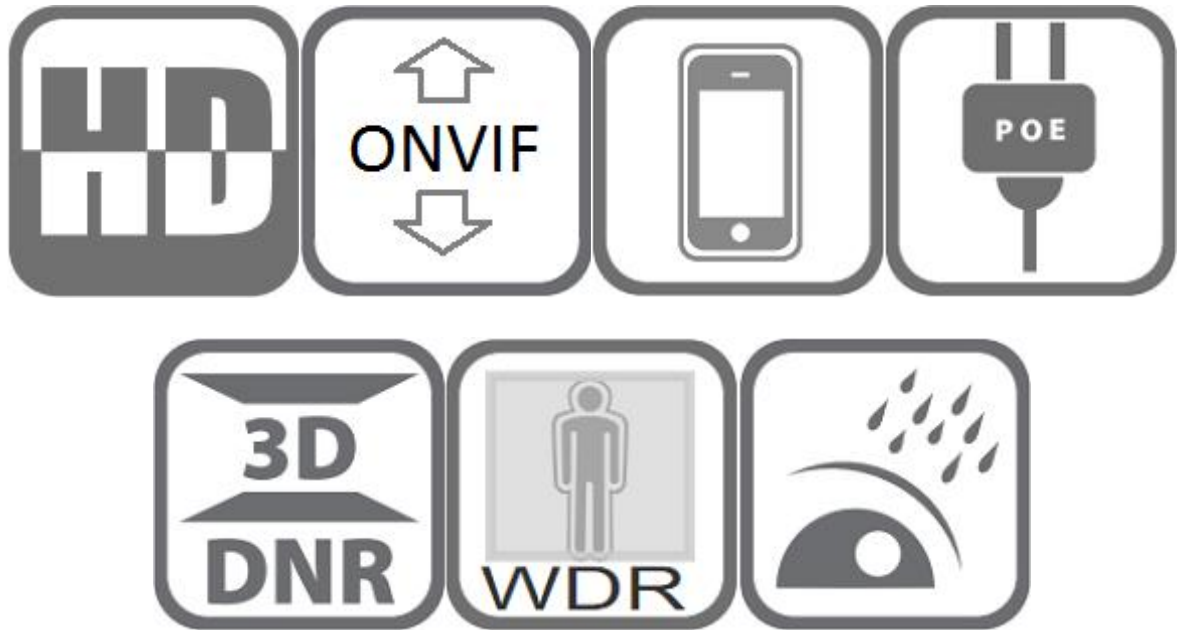


# 6MP Human & Vehicle Detection Turret POE IP Camera

Model: YC2265I-28 W746AHBB97A





## Features:

- ❖ 1/3" CMOS sensor
- ❖ 6MP realtime resolution 3072x2048
- ❖ Low illumination 0.01Lux
- ❖ Day/Night, AWB/MWB,BLC, HLC, 2D/3D-DNR,Shutter, IR-CUT
- ❖ D-WDR,Mirror, rotate, Defogging
- ❖ Multiply Style OSD Overlay,Motion Detection, Privacy Mask
- ❖ RTSP and ONVIF 17.06 compatible with many third-party NVR
- ❖ H.264/H.265 dual-stream media server
- ❖ Easy-to-use P2P Cloud service
- ❖ Support user authentication, video data encryption
- ❖ Support Alarm Snapshot to Email and FTP
- ❖ Multiply WEB browser IE,Firefox 32bit ESR, PC Client, Mobile APP remote access
- ❖ RJ45 100mbps network port, IEEE802.3af PoE
- ❖ Lightning protection 4000V
- ❖ Strong water-proof housing, IP66
- ❖ 2 pcs Array IR Leds, IR distance 20-30 meters
- ❖ 2.8mm fixed lens, [built in Mic](#)
- ❖ [Human body detection](#), [Vehicle detection](#)

## Technical Specifications:

<b>Model</b>	<b>YC2265I-28 W746AHBB97A</b>
<b>Camera</b>	
Image Sensor	1/3" CMOS
Effective Pixels	6 megapixels
Electronic Shutter	AUTO, 10-10000/min
Min. Illumination	0.01Lux@F1.2(AGC ON), 0Lux IR on
Day/Night	Auto/Color/(B/W)/Timing
WDR	Digital WDR
White Balance	Auto/Manual
BLC /HLC	Support
DNR	2D/3D DNR
Other	AGC,Motion Detection,Privacy Mask,Flip ,OSD overlay
<b>Encode</b>	
Video Standard	H.264/H.265
Video Resolution	Main Stream: 25fps@6MP(3072x2048)/25fps@5MP(2592x1944)/4MP(2592x1520)/3MP , 30fps@1080P/720P Sub stream: 25fps@D1/VGA/360P/CIF, etc.
Video Bitrates	512Kbps - 12Mbps, VBR/CBR
Audio Standard	G.711-u/G.711-a
Built-in Mic	Yes
OSD Overlay	Title and Time overlay
<b>IR Led</b>	
IR Led	2 pcs Array IR Led
IR Distance	20-30M
<b>Lens</b>	
Focal length	2.8mm fixed lens
<b>Optional Function</b>	
<a href="#">PoE, Mic, Human body detection, Vehicle detection</a>	
<b>Network Services</b>	
Protocol	HTTP/RTSP/FTP/SMTP/DHCP/NTP/NFS, etc.
P2P	Yes
Web	IE , Firefox (32bit esr), etc.
Media	CMS, Android, IOS
ONVIF	17.06 compatible
<b>General</b>	
Network Port	1-RJ45, 100Mbps, POE optional
Power Supply	<a href="#">Default: PoE (12V DC ± 10% optional)</a>
Power Consumption	< 8 W
Operating Temp.	-30°C-(+60)°C, 10%-90%RH